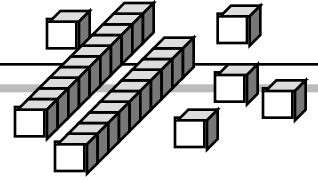


Base Ten Blocks



Objective: Demonstrate and describe the process of multiplication (3-digit by 1-digit), using manipulatives, diagrams and symbols.

Materials: Base ten blocks, paper, pencil, 5 x 8 cards.

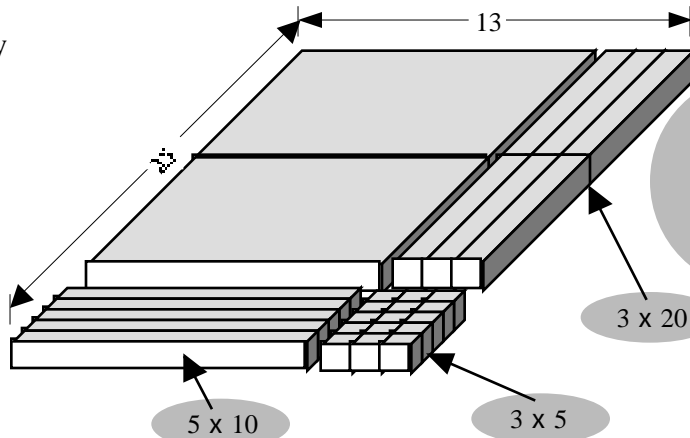
4

- Use base ten blocks to construct a model of multiplication equations:
- To show 132×5 we would do the following:
 - take five of the 5" x 8" cards and spread them on the table top.
 - on top of each of these cards place one flat block (100), 3 long blocks (30), and 2 single blocks (2) to create 132 ($100 + 30 + 2$).
 - on a piece of paper write the equation 132×5 , and begin the multiplication process.
 - remove the singles from each card (5×2), and trade up if possible (to 1 long).
 - remove the long blocks from each card (5×3), and trade up if possible (1 flat).
 - remove the flat blocks from each card, and trade up if possible. Read the product.
- Try these: 143×2 122×3 248×2 159×6

Objective: Estimate, mentally calculate, compute or verify, the product (3-digit by 2-digit) and quotient (3-digit divided by 1-digit) of whole numbers.

Materials: Base ten blocks, paper, pencil.

- Use the base ten blocks to model a 2-digit by 2-digit multiplication equation.
- To show 25×13 , we would create a model like the one shown.
- When we multiply 25 by 13, we essentially repeat the multiplication process four times: 3×5 , 3×20 , 10×5 , and 10×20 . Can you find the products of each of these portions of the multiplication in the model given?
- Some for you to try: 23×14 18×12
 24×35 16×14



5

Objective: Recognize, model, identify, find and describe common multiples, common factors, least common multiple, greatest common factor and prime factorization, using numbers 1 to 100.

Materials: base ten blocks, cm ruler or metre stick.

6

- assume you are trying to find the LCM of 4 and 6. Start by creating several "trains" of blocks 4 singles long and several which are 6 singles in length.
- place these trains along the edge of the cm ruler starting at 0. Every place where one of the trains ends represents a multiple of that number. You will find that the multiples of 4 are 4, 8, 12, 16, 20, ... and the multiples of 6 are 6, 12, 18, 24, 30 ... Wherever the trains end at the same spot represents a "common" multiple. The first such instance is the "least" common multiple. A diagram is shown below. The least common multiple of 4 and 6 is 12.
- How could you model the "greatest common factor"?

place these trains along the edge of a ruler

